

## TECHNICAL DATASHEET

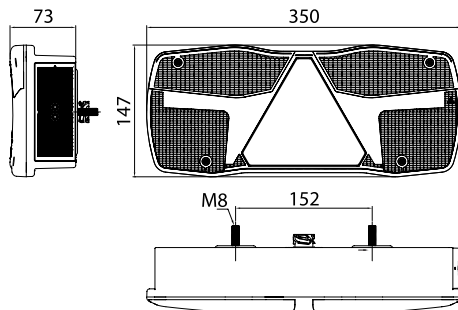
# 3193

## REAR LAMP

**Main Functions** - reverse, LED position, stop, side indicator, fog light, side-marker, triangle reflector or round reflector.

**Optional functions** - number plate light and end outline-marker.

**Mounting** - Horizontal way  
Distance between bolts (2x M8): 152mm



### RAW MATERIALS

#### MAIN LAMP:

**Lens:** PMMA (red and clear)  
**Housing:** PP 20T (black)  
**Reflector:** ABS + PP surface treatment with metal coating  
**Bulb Holder:** Galvanised steel plate  
**Terminals:** Stainless steel

**Number plate light:** PC (crystal)  
**Side-marker lens:** PMMA (amber)  
**Side-marker housing:** ABS (black)

#### END OUTLINE-MARKER:

**Lens:** PMMA amber, red and clear  
**LEDs:** Osram  
**Fitting arm:** TPE

Outline marker lamp with integrated side marker lamp

### POWER SOURCE

#### MAIN LAMP:

**Light source:** Position R1 - 2 modules of 11 LEDs  
Reverse AR - 1 bulb P21W  
Direction Indicator 2a - 1 bulb PY21W  
Stop (S1) and Fog (F1) - 1 bulb P21W  
Reg. Plate Light (L) - bulb R10W

Power supply voltage: 12V/24V

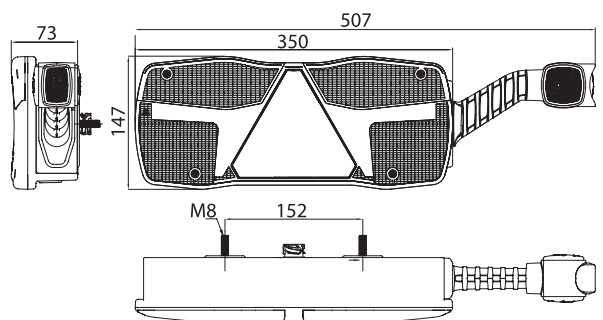
Operating Voltage: R1 - 2W (13.5V) 1.5W (28V)

#### END OUTLINE

**Light source:** 2 LEDs red assembled in PCB  
2 LEDs white assembled in PCB  
2 LEDs amber assembled in PCB

Operating voltage: 13,5V - vehicles 12V  
28 V - vehicles 24V

Power supply voltage: red LED - 0.31W (12V) - 0.57W (24V)  
white LED - 0.31W (12V) - 0.57W (24V)  
amber LED - 0.51W (12V) - 0.98W (24V)



### Approvals:

Lamp E approval - E9 14194  
LED outline approval: 14090 (A, R1, SM1);  
IP 67 EMC Reg 10 - 04 4699

**CONNECTOR:** DIN (rear side)

### SIDE INDICATOR CONTROL DEVICE

Although lamp is dual voltage, the integration if this particular device requires the choice of a single voltage (12 or 24V). In fact, it is not possible to get the dual voltage lamp with the side indicator simulator.