

TECHNICAL DATASHEET



3177

REAR LAMP

7 FUNCTIONS

(blinker, reverse, end outline marker, fog, 2x position and stop) with triangle reflector built in.

Approval number - E9 14013 UNECE

2a (Side Indicator) - Reg. 6

AR (Reverse) - Reg. 23

F1 (Fog) - Reg. 38

R1 (Position red) - Reg. 7

R1S1 (Presence + Stop lamp) - Reg. 7

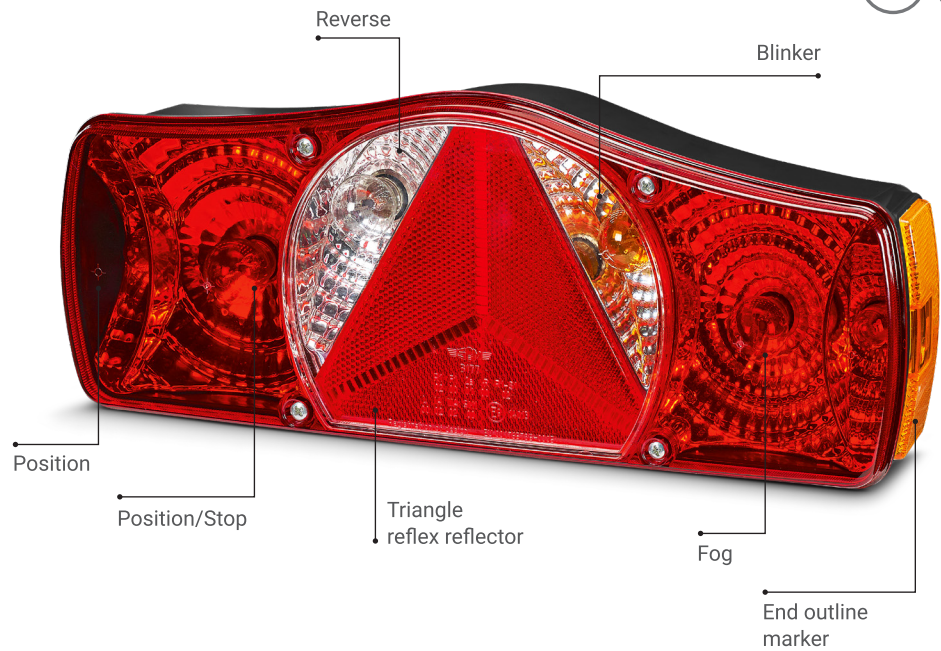
III (Triang.Reflex Reflector) - Reg. 3

SML - Reg. 91

L (Number Plate Light) - Reg. 4

IP 54

ADR approved



RAW MATERIALS

Lens: PMMA red and crystal

Gasket: Rubber cord (EPDM) 0.2mm

Housing: PP 20T

Bulb holder: Galvanized steel plate 0.8mm

Springs: Stainless steel

Reflector: PC with metalized surface treatment

Bolts M8 (distance between bolts 152mm)

Screws: steel plate with iridescent zinc surface treatment

Connectors: DIN + Female Kit

Universal P/G + Female Kit

LIGHT SOURCE

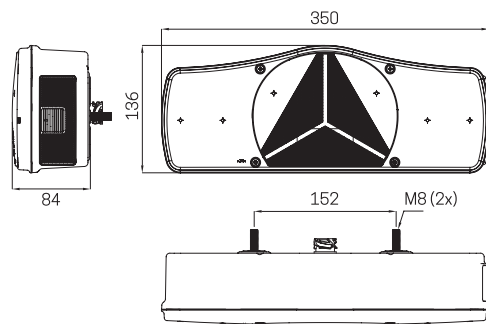
Bulbs 12V or 24V (not supplied)

Bulb R5W - side marker lamp, position and outline

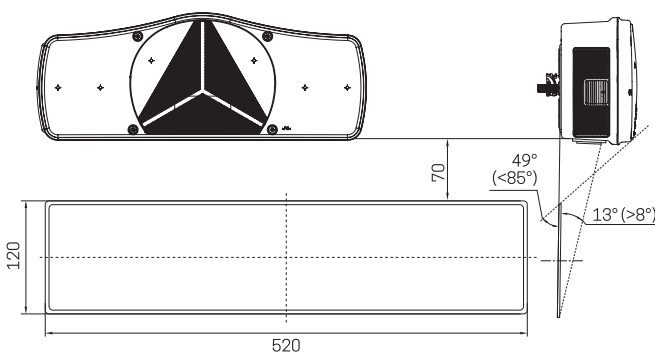
Bulb P21/5W (position/stop)

Bulb R10W (number plate light)

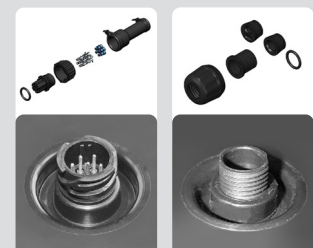
Bulb PY21W (side indicator)



POSITION OF LAMP REGARDING NUMBER PLATE LIGHT



CONNECTION FEMALE KITS:



Connector DIN

Universal w/ cable entry nut plug